

User guide

ProHead Plus

For other languages visit:
www.profoto.com/support

 **Profoto**



Congratulations on your new Profoto product!

Thanks for showing us your confidence by investing in a ProHead unit. For more than four decades we have sought the perfect light. What pushes us is our conviction that we can offer even better tools for the most demanding photographers.

Before our products are shipped we have them pass an extensive and strict testing program. We check that each individual product comply with specified performance, quality and safety. For this reason our flash equipment is widely used in rental studios and rental houses worldwide, from Paris, London, Milan, New York, Tokyo to Cape Town.

Some photographers can tell just from seeing a picture, if Profoto equipment has been used. Professional photographers around the world have come to value Profoto's expertise in lighting and light-shaping. Our extensive range of Light Shaping Tools offers photographers unlimited possibilities for creating and adjusting their own light.

Every single reflector and accessory creates its special light and the unique Profoto focusing system offers you the possibility to create your own light with only a few different reflectors.

Enjoy your Profoto product!

Conny Dufgran, founder

General safety instructions



SAFETY PRECAUTIONS!

Do not operate the equipment before studying the instruction manual and the accompanying safety. Make sure that Profoto Safety Instructions is always accompanied the equipment! Profoto products are intended for professional use! Generator, lamp heads and accessories are only intended for indoor photographic use. Do not place or use the equipment where it can be exposed to moisture, extreme electromagnetic fields or in areas with flammable gases or dust! Do not expose the equipment to dripping or splashing. Do not place any objects filled with liquids, such as vases, on or near the equipment. Do not expose the equipment to hasty temperature changes in humid conditions as this could lead to condensation water in the unit. Do not connect this equipment to flash equipment from other brands. Do not use flash heads without supplied protective glass covers or protective grids. Glass covers shall be changed if it has become visibly damaged to such an extent that their effectiveness is impaired, for example by cracks or deep scratches. Lamps shall be changed if they are damaged or thermally deformed. When placing a lamp into the holder ensure not to touch the bulb with bare hands. Equipment must only be serviced, modified or repaired by authorized and competent service personnel! Warning - The terminals marked with the flash symbol are hazardous live.



WARNING - Electrical Shock - High Voltage!

Mains powered generator shall always be connected to a mains socket outlet with a protective earthing connection! Only use Profoto extension cables! Do not open or disassemble generator or lamp head! Equipment operates with high voltage. Generator capacitors are electrically charged for a considerable time after being turned off. Do not touch modeling lamp or flash tube when mounting umbrella metal shaft in its reflector hole. Disconnect lamp head cable between generator and lamp head when changing modeling lamp or flash tube! The mains plug or appliance coupler is used as disconnect device. The disconnect device shall remain readily operable. Batteries (battery pack or batteries installed) shall not be exposed to excessive heat such as sunshine, fire or the like.



Caution - Burn Hazard - Hot Parts!

Do not touch hot parts with bare fingers! Modeling lamps, flash tubes and certain metal parts emit strong heat when used! Do not point modeling lamps or flash tubes too close to persons. All lamps may on rare occasions explode and throw out hot particles! Make sure that rated voltage for modeling lamp corresponds with technical data of user guide regarding power supply! The unit will be HOT especially if non fan cooled heads used. It is advisable not to leave it with the modeling lamp switched on for long periods, especially with the iris in the closed position. Always operate the iris by holding the plastic handle. Always hold the top plastic handle when adjusting the position and allow the unit to cool before attempting to remove it from the flash head.

NOTICE

NOTICE - Equipment Overheating Risk!

Remove transport cap from lamp head before use! Do not obstruct ventilation by placing filters, diffusing materials, etc. over inlets and outlets of the equipment ventilation or directly over glass cover, modeling lamp or flash tube!

Note about RF!

This equipment makes use of the radio spectrum and emits radio frequency energy. Proper care should be taken when the device is integrated in systems. Make sure that all specifications within this document are followed, especially those concerning operating temperature and supply voltage range. Make sure the device is operated according to local regulations. The frequency spectrum this device is using is shared with other users. Interference can not be ruled out.



Final Disposal

Equipment contains electrical and electronic components that could be harmful to the environment. Equipment may be returned to Profoto distributors free of charge for recycling according to WEEE. Follow local legal requirements for separate disposal of waste, for instance WEEE directive for electrical and electronic equipment on the European market, when product life has ended!

Table of Contents

Brief Instructions.....	7
Mounting Reflector	7
Connecting Lamp Head	8
Changing Fuse	8
Changing Glass Cover	9
Changing Modeling Lamp	10
Changing Flash Tube.....	10
Color Control and Consistency.....	11
Glass Covers.....	11
Compatibility	11
Warranty.....	12
Accessories	12
Technical data.....	13
Regulatory information	14
Declaration of Conformity.....	14

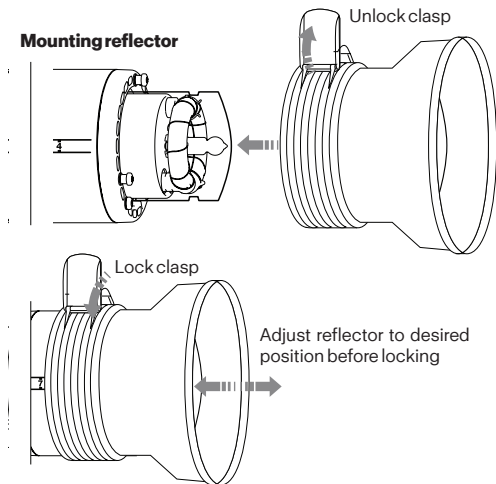
Brief Instructions

- Remove protecting cap.
- Connect the ProHead to the generator lamp head socket.

Mounting Reflector

The unique rubber collar fastening system provides secure and rapid handling and allows the reflectors to fit all of the Profoto flashes, HMI's and Tungsten heads. The rubber collar allows the reflectors to be handled when hot.

- Unlock the clasp.
- Slide the reflector into desired position.
- Secure the reflector by locking the clasp.



Connecting Lamp Head

When connecting the lamp head plug to the lamp head socket, align the dots on the plug with the white dot on the generator panel. Push the plug all the way in. Secure by turning the locking ring on the plug clockwise.



Changing Fuse

The fuse is placed at the back of the head. Unscrew the fuse holder counterclockwise. Pull the fuse out. Use fuses that are recommended, for more details please read "Technical Data". Push the new fuse all the way in. To lock the fuse holder after the fuse is changed, screw the fuse holder clockwise.



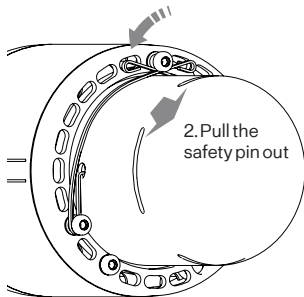
Changing Glass Cover

When removing the glass cover, unlock the two safety pins by pressing down and pulling, one by one. Remove the glass cover. To lock the glass cover when the glass cover or lamps are changed, fit the glass cover carefully and make sure the safety pins fit properly in the existing holes on each side of the glass cover. Secure the glass cover to lock by pressing the safety pins down and then pushing them one by one under the top screw.

Changing glass cover

Unlock glass cover

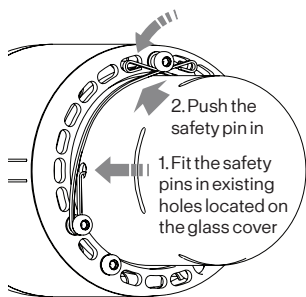
1. Press down the safety pin to release
2. Pull the safety pin out



Changing glass cover

Lock glass cover

3. Press down the safety pin and fit under the screw to lock



Note!

Do not touch hot parts with bare fingers! Modeling lamps, flash tubes and certain metal parts emit strong heat when used!

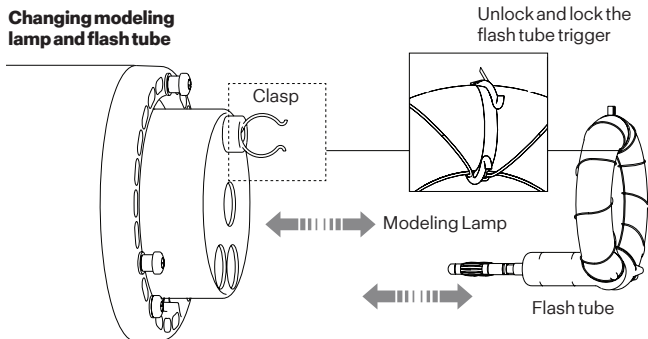
Note!

When changing modeling lamp, flash tube, fuse or glass cover the lamp cable must be disconnected from the generator.

Changing Modeling Lamp

When removing a modeling lamp, unscrew the modeling lamp straight out of the socket. When inserting a new modeling lamp, screw it straight into the socket. Do not touch lamp with bare hands.

Changing modeling lamp and flash tube



Changing fuse

Changing Flash Tube

When removing a flash tube, remove the glass cover, unlock the flash tube trigger by unfolding the stainless steel ribbons around the clasp, grasp the flash tube in the bottom and pull it straight out of the sockets. When inserting a new flash tube, check that the trigger clasp fit properly around the flash tube trigger connection. Lock the flash tube trigger by folding the stainless steel ribbons around the clasp.

Color Control and Consistency

The flash tube is made of high quality color stable hard glass making it suitable for demanding digital and analog photography with a high level of f-stop and color stability from flash to flash. In order to change the color temperature of the the head, Profoto offer a range of different coated glass covers.

Glass Covers

- Clear, uncoated
- Frosted, uncoated
- Clear, UV-coated, -300 K
- Frosted, UV-coated, -300 K
- Frosted, extra UV-coated, -600 K

Compatibility

The ProHead can be used with Pro and D4 generators.

Warranty

All Profoto generators and heads are individually tested before they leave the company and guaranteed for a period of two years with the exception of flash tubes, glass covers, modeling lamps and cables. Profoto is not responsible for technical malfunctions created by improper use or accessories made by other companies. If you have any technical problems please get in contact with an authorized Profoto service station.

Accessories

Please consult with your local dealer or distributor for specific information.

Technical data

Specifications	
Flash capacity:	4.7– 2400 Ws
Modeling Light:	12 0V max 500W high efficient halogen lamp
Flash Tube:	Hard Glass, max 600 J
Glass Cover:	Frosted UV-coated
Fan:	Yes, thermostatically controlled 2 speed fan
Cable Length:	4 m
Fuse:	T 6.3 AH/250 V
Measurements	
Diameter:	10 cm (4")
Size:	27 cm depth (10.5")
Weight:	2.2 kg (4.8 lbs)

Regulatory information

Declaration of Conformity

We, Profoto AB of
PO Box 2023
SE-128 21 Skarpnäck, Sweden

hereby declare that the following product Profoto ProHead to which this declaration relates is in conformity with the appropriate standards IEC 60598-2-9/17 and IEC 60065, following the provisions of, EMC Directive 89/336/EEC, and Low Voltage Directive 73/23/EEC.

Stockholm, September 2009

Anders Hedebark
Managing Director of Profoto AB

Profoto AB
Sweden

+46 (0) 8 447 53 00
info@profoto.com
www.profoto.com

 **Profoto**

Technical data and product information are subject to change without notice.

March 2018. Printed in Sweden.